

SPESIFIKASI TEKNIS ISUZU **GIGA FTR90PTH - FVR34PTH**

DIMENSI / DIMENSION		FTR 90 P TH	FVR 34 P TH
PANJANG / OVERALL LENGTH (OAL)	mm	5,710	5,930
LEBAR / OVERALL WIDTH (OW)	mm	2,485	2,470
TINGGI / OVERALL HEIGHT (OH)	mm	2,720	2,860
JARAK SUMBU / WHEELBASE (WB)	mm	3,230	3,450
JULUR DEPAN / FRONT OVERHANG (FOH)	mm	1,440	1,440
JULUR BELAKANG / REAR OVERHANG (ROH)	mm	1,040	1,040
JARAK TERENDAH KE TANAH / MINIMUM CLEARANCE (HH)	mm	245	235
JEJAK DEPAN / FRONT TREAD (AW)	mm	1,990	1,970
JEJAK BELAKANG / REAR TREAD (CW)	mm	1,790	1,845

MESIN / ENGINE		4HK1-TCS	6HK1-TCN
MODEL / MODEL		4HK1-TCS	6HK1-TCN
TIPE / TYPE		IN-LINE 4 CYLINDERS, OHC DIRECT INJECTION DIESEL	IN-LINE 6 CYLINDERS, OHC DIRECT INJECTION DIESEL
DIAMETER x LANGKAH / BORE x STROKE	mm	115 X 125	115 X 125
ISI SILINDER / PISTON DISPLACEMENT	cc	5,193	7,790
TENAGA MAKSIMUM / MAXIMUM POWER	PS/rpm	210 / 2,600	240 / 2,400
TORSI MAKSIMUM / MAXIMUM TORQUE	Kgm/rpm	65/ 1,600 - 2,600	72/ 1,450 - 2,400
SISTEM SUPLAH BAHAN BAKAR / FUEL SUPPLY SYSTEM		HEAVY DUTY COMMONRAIL	HEAVY DUTY COMMONRAIL

BERAT / WEIGHT		FTR 90 P TH	FVR 34 P TH
BERAT KENDARAAN / VEHICLE MASS	kg	4,680	5,480
BERAT TOTAL KOMBINASI / GROSS COMBINATION WEIGHT (GCW)	kg	28,000	32,000

RODA / TYRE		FTR 90 P TH	FVR 34 P TH
BAN DEPAN / FRONT TYRE		SINGLE, 9.00-20-14PR (MILLER)	SINGLE, 10.00-20-16PR (MILLER)
BAN BELAKANG / REAR TYRE		DOUBLE, 9.00-20-14PR (MILLER)	DOUBLE, 10.00-20-16PR (MILLER)

KAPASITAS GARDAN / AXLE CAPACITY		FTR 90 P TH	FVR 34 P TH
DEPAN / FRONT	kg	5,550	6,000
BELAKANG / REAR	kg	8,450	10,000

TRANSMISI / TRANSMISSION		FTR 90 P TH	FVR 34 P TH
MODEL / MODEL			MZW6P
PEBANDINGAN GIGI / GEAR RATIO		1st	6.615
		2nd	4.095
		3rd	2.358
		4th	1.531
		5th	1.000
		6th	0.722
		Rev	6.615
PERBANDINGAN GIGI TERAKHIR / FINAL GEAR RATIO		6.500	7,167

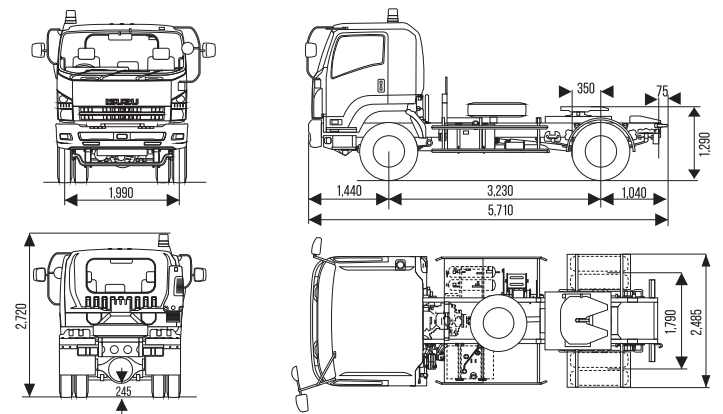
REM / BRAKE		FTR 90 P TH	FVR 34 P TH
KONTROL REM / BRAKE CONTROL		AIR OVER HYDRAULIC	

SUSPENSI / SUSPENSION		FTR 90 P TH	FVR 34 P TH
DEPAN / FRONT		MULTI LEAF	
BELAKANG / REAR		MULTI LEAF	

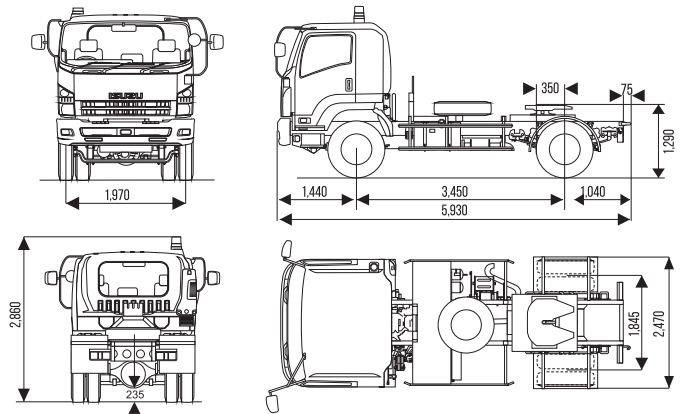
LAIN-LAIN / OTHERS		FTR 90 P TH	FVR 34 P TH
KAPASITAS TANGKI / FUEL TANK CAPACITY	ltr	200	
RADIUS PUTAR MINIMUM / MINIMUM TURNING RADIUS	m	5.6	5.9
DAYA TANJAK MAKSIMUM / MAXIMUM GRADEABILITY	%	17	18
ALTERNATOR	V-A	24 - 50	
KECEPATAN MAKSIMUM / MAXIMUM SPEED	km/h	107	95
KABIN / CABIN		WIDE-5 (WITH BED SPACE)	
DIMENSI RANGKA / FRAME DIMENSION		850 X 253 X 7.5	850 X 254 X 8
REGULASI EMISI / EMISI REGULATION		EURO 2	
RADIO / CD / MP3		ADA	
POWER STEERING		ADA	
EXHAUST BRAKE		ADA	
KABIN JUNGKIT / TILT CABIN		ADA	

* Untuk meningkatkan mutu dan penyesuaian dengan perkembangan teknologi, spesifikasi dapat berubah sewaktu-waktu tanpa pemberitahuan ** Ilustrasi merupakan contoh sebagian aplikasi di lapangan.

FTR90PTH



FVR34PTH



AOH BRAKE SYSTEM

Agen Pemegang Merek & Distributor :

PT ISUZU ASTRA MOTOR INDONESIA



www.isuzu-astra.com

2016_GIGA_FTR_BRO_FUER_JANUARI

FTR 90P TRACTOR HEAD
4cyl. | 210 PS | 4X2 HEAVY DUTY COMMONRAIL

FVR 34P TRACTOR HEAD
6cyl. | 240 PS | 4X2 HEAVY DUTY COMMONRAIL

BANDEL MESINNYA, JAUH JELAJAHNYA



KABIN DILENGKAPI LITHEER & JOK BARU YANG ELEGAN



PENAMBAHAN ANTI KARAT PADA KABIN