

SPESIFIKASI TEKNIS ISUZU LT1 34 S

DIMENSI / DIMENSION

Panjang / Overall Length (OAL)	mm	11.475
Lebar / Overall Width (OW)	mm	2.464
Tinggi / Overall Height (OH)	mm	1.734
Jarak Sumbu / Wheelbase (WB)	mm	6.000
Julur Depan / Front Overhang (FOH)	mm	2.365
Julur Belakang / Rear Overhang (ROH)	mm	3.110
Jarak kabin ke chassis paling belakang / Cabin to End (CE)	mm	-
Jarak Terendah ke Tanah / Min. Clearance (HH)	mm	255
Jejak Depan / Front Thread (AW)	mm	1.965
Jejak Belakang / Rear Thread (CW)	mm	1.792

MESIN / ENGINE

Model	6HK1-TCN	
Tipe / Type	Inline Six Cylinder, OHC, Direct Injection Diesel	
Diameter x Langkah / Bore x Stroke	mm	115 X 125
Isi Silinder / Piston Displacement	cc	7,790
Tenaga / Maximum Power	PS/rpm	250 / 2400
Torsi / Maximum Torque	Kgm/rpm	75 / 1450-2400
Sistem Supply Bahan Bakar / Fuel supply system	Heavy Duty Common Rail	

BERAT / WEIGHT

Total Vehicle Mass	kg	4.655
Gross Vehicle Weight (GVW)	kg	14.500

REM / BRAKE

Kontrol Rem / Brake control	Full Ai Brake	
-----------------------------	---------------	--

KAPASITA AXLE / AXLE CAPACITY

Depan / Front	kg	5.500
Belakang / Rear	kg	9.000

TRANSMISI / TRANSMISSION

Model	MLD6Q	
Perbandingan Gigi / Gear Ratio	C	-
	1st	6,720
	2nd	4,244
	3rd	2,580
	4th	1,540
	5th	1,000
	6th	0,763
	7th	-
	8th	-
	Rev	6,823
Perbandingan Gigi Akhir / Final Gear Ratio	5,571	

RODA / TYRE

Ban / Tyre	Depan / Front (Type)	11.00 R22.5-16PR
	Belakang / Rear (Type)	11.00 R22.5-16PR

SUSPENSI / SUSPENSION

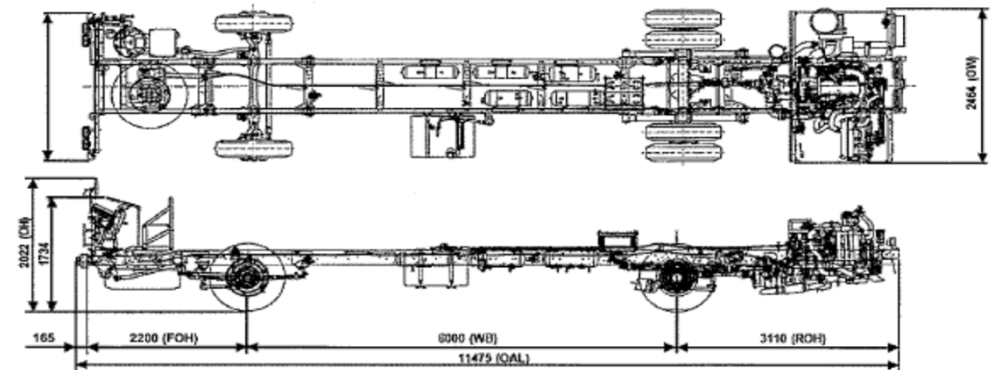
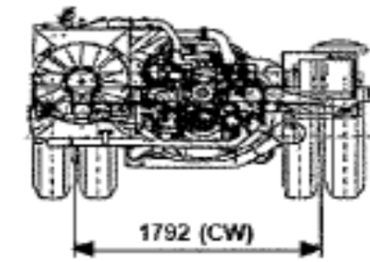
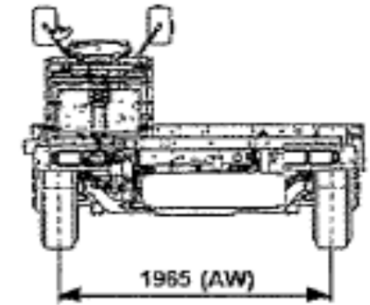
Depan / Front	Tapper Leaf Spring
Belakang / Rear	Tapper Leaf Spring

LAIN LAIN / OTHERS

Kapasitas Tangki / Fuel Tank Capacity	lt	280
Radius Putar / Min. Turning Radius	m	10.3
Daya tanjak / Max Grade Ability	%	38
Alternator	V-A	24 - 120
Kecepatan Maximum / Max speed	km/hr	115
Kabin / Cab	-	
Dimensi Rangka / Frame Dimension	850x225x6	
Emisi Regulation	Euro 2	
Radio / CD / MP3	-	

* Untuk meningkatkan mutu dan penyesuaian dengan pengembangan teknologi, aplikasi sewaktu-waktu dapat berubah tanpa pemberitahuan

** Ilustrasi merupakan contoh sebagian aplikasi dilapangan



Agen Tunggal dan Distributor

PT ISUZU ASTRA MOTOR INDONESIA

www.isuzu-astra.com